



**Installation Instructions**  
**ISOCORE XL Wood**  
Multi-Layer Modular Luxury  
Vinyl Plank Flooring

**Product Description**  
220 mm x 1520 mm  
Rigid Core Vinyl Planks

**Grade Levels**  
Above Grade / On Grade  
Below Grade

**Installation Method**  
Floating - Drop and Lock

**READ THIS MANUAL COMPLETELY PRIOR TO INSTALLATION:** It contains important information for pre-installation conditions, installation instructions, plus care & maintenance.

Contesse® ISOCORE with ISOCORE Technology™ is a patent pending product.

## Introduction

Contesse® ISOCORE XL WOOD combines simple drop-and-lock installation featuring innovative ISOCORE Technology™, a waterproof, strong, and stable core that offers outstanding performance, durability and longevity. Planks even have a sound-mitigating underlayment to help minimize sound travel.

Contesse® ISOCORE is light weight and easy to install with simple drop-and-lock installation. The DropLock 100 locking mechanism on the end joints increases installation speed and aligns the top surfaces of adjoining planks.

Contesse® ISOCORE XL WOOD features luxurious embossing for a natural look and feel. The 220 mm x 1520 mm wide planks create a custom, authentic wood look.

Contesse®'s flexibility allows the planks to be installed over existing floors such as natural wood, concrete, vinyl, linoleum, and even ceramic, saving you time and money! (See subfloor preparation section below.)

Contesse® ISOCORE is WATERPROOF, so it can be installed in areas that have been "off limits" for traditional wood flooring and laminate products, like

basements and bathrooms. Contesse® ISOCORE is not meant to be a moisture barrier. It will not prevent damages from flooding, excessive moisture, alkalis or conditions from hydrostatic pressure in the subfloor. (See subfloor preparation section below.)

Contesse® ISOCORE has a Ceramic Bead coating for added wear and stain resistance. Plus, Contesse® ISOCORE is treated with Ultra-Fresh to inhibit the growth of odor and stain-causing mold and mildew on the attached underlayment and top surface layer of the flooring.

Contesse® is comfortable under foot, warmer in the winter and cooler in the summer, than other hard surface flooring materials.

Follow the instructions for installation in the next section and you will be enjoying your beautiful new floor in just a few hours.

## Pre-Installation

### TOOLS NEEDED

Utility knife & straight edge • Measuring tape • Shears for cutting around irregular shaped objects (pipes) • 10 mm spacers • Pencil • Tapping block (optional) • Soft faced hammer

### PLANKS NEEDED TO COMPLETE YOUR PROJECT

Measure the length & width of your room. If the room has alcoves or offsets, measure these separately. This will give you the square footage of the room. Purchase a minimum of 10% extra to cover mistakes, trimming and for future needs and or replacement. Most installations require about 10% overage. However this can vary depending upon the room size and layout.

Contesse® ISOCORE Plank comes in 220 mm x 1520 mm planks or 0.33 m<sup>2</sup> per plank. 8 planks per case = 2.66 m<sup>2</sup> per case. So, if your room is 3 m x 3 m or 9 m<sup>2</sup> we would recommend you purchase 4 cases (10.64 m<sup>2</sup>).

**HELPFUL HINT:** For best results it is important to purchase product (cases) from the same RUN# (dye lot) whenever possible. Always install planks from 3 to 4 cases at one time. Different run #'s can have shade variations. Every case of Contesse® has the run # printed on the ends of the case. Run # example: 30.01.2016. If you do have more than one run # we recommend you install planks from 3 or 4 different cases from different run #'s at one time and randomly mix them into the installation as you go. This will ensure a more natural looking floor.

### CONTESSE® INSTALLATION LIMITATIONS

Do not install Contesse® over carpet or any foam underlayment. This product is not suitable for any outside use, sunrooms / solariums, saunas, camping trailers, boats or rooms that have a potential of flooding. Do not install in rooms or in homes that are not temperature controlled or in seasonal conservatories installed before 2015. The floor should not be exposed to direct sunlight. Sliding doors cannot be constantly open during the summer. Both are considered outdoor placement and therefore not covered by the warranty. Exposure to long term direct sunlight can cause damage to your floor. Failure to properly shade or UV tint windows can discolor, fade, or buckle. Use window treatments or UV tinting on windows. Contesse® is not intended for use on stairs or vertical surfaces. Do not glue, nail, screw or fasten to substrate. Install cabinetry, island and peninsula counters, vanities, tubs, and showers first. Then install Contesse® around them. For more information on installation specifications please see the chart on page 2. **Failure to follow these guidelines will void the warranty.**

### CONDITION CONTESSE® PRIOR TO INSTALLATION

The Installation of Contesse® ISOCORE does not require acclimation. However we recommend installation in rooms with temperatures between 13°C & 32°C. The HVAC system must be on and functional before, during and after installation. Product should be stored horizontally in a dry area away from direct sunlight. Do not leave next to heat or cooling ducts. Ensure that all trades have been completed to eliminate dry wall dust, paints, etc.

**NOTE:** if Contesse® ISOCORE is subjected to extreme hot or cold temperatures prior to installation it may make the product more difficult to install or cause damage to the locking system. Allow the product to reach room temperature before installation.

### SUBFLOOR PREPARATION

The subfloor surface must be smooth, flat, dry, clean and solid. Carpet staples or adhesive residue must be removed to ensure proper installation.

Subfloors should be flat within a tolerance of 6.35 mm over 3.05 m. Subfloors should not slope more than 2.5 cm per 1.8 m in any direction. Voids or humps may prevent Contesse® ISOCORE from locking properly. Fill large cracks, voids, or grout lines with a cementitious leveling and patching compound. If necessary, grind down high spots. Do not sand, saw, pulverize, chip, bead blast, or dry scrape existing vinyl floor, backing, lining felt, asphalt, "cut back" adhesives or other adhesives as they may contain asbestos fibers and or crystalline silica.

**NOTE:** Various Federal, State, and Local government agencies have regulations for removal of in-place asbestos-containing materials. If you are considering removing an existing resilient floor covering that contains (or is presumed to contain) asbestos, you must review and comply with all applicable regulations. For more information, visit the Resilient Floor Covering Institute website at [www.rfci.com](http://www.rfci.com).

Subfloors must be carefully checked for moisture problems. While Contesse® ISOCORE is waterproof, it's not a moisture barrier or water-proofer. Any moisture problems need to be addressed prior to Installation. New concrete floors need to cure for a minimum of 90 days. For more information, see the chart on page 2.



**Installation Instructions**  
**ISOCORE XL Wood**  
 Multi-Layer Modular Luxury  
 Vinyl Plank Flooring

**Product Description**  
 220 mm x 1520 mm  
 Rigid Core Vinyl Planks

**Grade Levels**  
 Above Grade / On Grade  
 Below Grade

**Installation Method**  
 Floating - Drop and Lock

## Key Installation Tips

Environmental Interior Conditions	13°C to 32°C & 40% to 60% Relative Humidity
Acclimation for residential use	Not required
Acclimation for commercial use	Acclimate for 48 hours (between 13°C - 32°C)
Subfloor Flatness Tolerances	6.35 mm over 3.05 m or 3.18 mm over 1.83 m
Vapor Barrier (6 mil poly)	See installation chart below
Underlayment Pad Required	NO – Contesse® ISOCORE includes pre-attached pad
Radiant Heated Floors	Must be cast 1.27 cm below subfloor. NO electric mats. Substrate surface temperature must not exceed 30°C
Perimeter Expansion	10 mm gap around walls, space requirements heavy fixed objects (cabinetry)
Transition molding	An expansion profile is needed in every door opening or when the maximum room size is reached. For standard residential use with a temperature between 15 and 35°C the max. room size is 11 * 14 m. For rooms with more extreme temperatures from 5 till 65°C, or exposure to the South, the max. room size is 8 * 8 m. For Rooms with a continuous HVAC system and no direct sunlight, the max. size is 25 * 20m.
Glue Down Installation	NOT RECOMMENDED – Voids the warranty

## Installation Specifications

Connection Type	DropLock 100 end joints (Click)
Free Floating Floor	Yes. DO NOT screw or nail moldings, transitions, cabinetry or vents through ANY Contesse® flooring
Temp range before, during and after installation	13° C to 32° C. After installation temps should stay between 10° C to 35° C
Interior Product Only	Yes. See limitations/exclusions below
Storage	Horizontally
Dye Lots	Yes. Install from a minimum of 3 to 4 different boxes and dye lots at one time. See page 1 for more information
Expansion Space	Yes. For room perimeters and fixed objects please leave 10 mm optimum space
Floor Flatness Tolerances	6.35 mm over 3.05 m. Use floor leveler when exceeding tolerance
Special Tools Required	Yes. Utility knife and straight edge, measuring tape, soft faced or rubber mallet (to tap and lock plank seams), shears, tapping block, pencil and 10 mm spacers
Hand Roller Required	No
75 lb min. Floor Roller	No
Moisture Reading Guidelines; OVER CONCRETE	Based on Tramex Concrete Moisture Encounter Plus Meter (scale 0 to 6%)
Scale 0% to 4%	No moisture barrier
Scale 5% to 6%	Use 6 mil poly moisture barrier
Scale over 6%	Use Dricore
Moisture Reading Guidelines; OVER WOOD	Never use 6 mil poly over wooden subfloors
Scale 0 to 13%	OK to install. Do not install above 13% moisture levels
Primer Over Wooden Subfloors	No
Basement Proofer over Concrete	No
Moisture Barrier (6 mil poly)	Yes above 5% only
Installs Over Radiant Flooring	Yes. Electric or hydronic approved — best practice recessed min 12.7 mm below finished floor. Substrate surface temperature must not exceed 30°C
Suspended Wood Floors	Yes. 45.7 cm minimum well ventilated crawl space. Use moisture barrier over ground/dirt, especially for mobile home installations
Foam/Cushioned Underlayment	No. Voids warranty if used in any application
Approved Subfloors - See Below	Must be smooth, solid, dry and no deflection
Wood	Yes. Solid, engineered, parquet, but not woods installed over concrete.
Plywood	Yes. OSB, particleboard and Luan are approved for Contesse® products
Vinyl	Yes. Install over 1 layer only: Vinyl, linoleum, VCT, LVT, and Peel & Stick
Concrete	Yes. Sealed, unsealed, poured in place gypsum. On grade or below grade (see moisture guidelines)
Tile (Stone)	Yes. Ceramic, Terrazzo, stone tile (grout lines of less than 10 mm is optimum)
Dricore	Yes
Subfloors Not Approved	Carpet (any type), foam underlayment, cushioned back vinyl, rubber, cork, laminates, free floating floors
Subfloor Approved Products	Primer - Custom Building Products Level Quik Primer Basement Proofer - CBP (Custom Building Products), RedGard Waterproofing & Crack Prevention Floor Leveler - CBP Level Quik
Limitations/Exclusions	See installation limitations and warranty limitations
Steam Cleaner	DO NOT USE
Vertical Surfaces & Staircases	Not covered under warranty. Can be done using high quality construction adhesive. Product not intended for this usage

## Installation

**Before installation, carefully inspect each plank for visual defects, damage, and sheen under adequate lighting (daylight is best). Do NOT install damaged or defective material.**

1. Lay a row of loose planks (Figure 1) without securing them to each other first to determine if you need to adjust the length of the first plank to avoid a small piece of less than 20.3 cm on the opposite wall from where you started. Or, measure the length of the room and divide by 1520 mm length of plank.
2. Installation should start in a corner (left hand) and proceed from the wall with the tongue facing the wall. Allow a minimum gap of 10 mm for product expansion, which should be covered by molding.
3. When laying the first row in a straight line interlock the short ends by inserting the tongue into the grooves at an angle of approximately 10 to 20 degrees (Figure 3). Install each sequential plank on the short end and be sure to line up evenly. Use a soft faced hammer to tap down on top of the planks on the short seam to ensure a tight fit (Figure 7). This is very important for a good installation.

When cutting Contesse® ISOCORE use a utility knife and straight edge. Measure the plank for desired length and mark with a pencil. Then score with a utility knife on top of the plank first (several passes) and then snap the plank. You will also need to back cut the under-pad on the bottom of the plank.

**HELPFUL HINT:** For those who are not intimidated by power tools, or you're a professional installer. You can also use a circular saw with carbide-tipped blade to make straight cuts. If you use a power tool, be sure to wear safety glasses and dust mask and work in a well ventilated area outside the room of installation. Be sure all debris from cutting is removed from all locking mechanisms before installing.

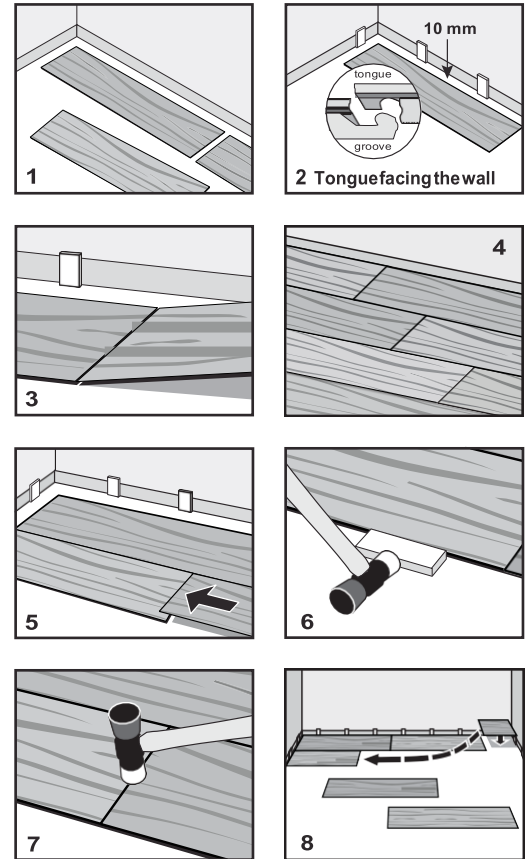
4. When installing Contesse® ISOCORE, stagger the rows so that the short edge seams are not in a straight uniform line. We recommend the staggered random method (Figure 4). Maintain a minimum 20.3 cm end-joint stagger from row-to-row throughout the entire installation.
5. Start the second row with the plank cut at 2/3 of the length or cut to desired length for desired staggered appearance (cut plank should be no less than 20.3 cm. Attach the first plank of Row 2 by connecting the long side to the first row. Maintain your 10 mm expansion gap. Then attach the second plank by connecting the long side to the first row and sliding it up to the short end of the first plank. Then drop and lock. See Figure 5. To ensure a tight fit, use a tapping block and soft faced hammer on the long seams (Figure 6), then, tap down on top of the planks at the short seams (Figure 7).

**HELPFUL HINT:** If you don't have a tapping block, you can use a small scrap piece of the vinyl plank material (approximately 152 mm) as a tapping block.

6. When cutting a plank to start a row, you will need to cut off the end with the groove. The remaining piece can then be used on the opposite side of the room, at the end of the row if layout permits. See Figure 8. For a close-up of the end joint locking mechanism see Figure 2.
7. Fitting around irregular objects is no problem. Simply make a pattern out of heavy paper to fit around pipes or irregular objects. Place the pattern upon the plank and trace. Cut along trace lines using a utility knife or heavy duty scissors, and lay plank. Be sure to leave a minimum of 10 mm expansion space around all fixed objects, cabinetry, and metal door jambs. Undercut wooden door jambs. Fill any expansion spaces around potentially wet areas such as refrigerators, tubs, and appliances with premium waterproof 100% silicone.

**1. NOTE:** An expansion profile is needed in every door opening or when the maximum room size is reached. For standard residential use with a temperature between 15 and 35°C the max. room size is 11 \* 14 m. For rooms with more extreme temperatures from 5 till 65°C, or exposure to the South, the max. room size is 8 \* 8 m. For rooms with a continuous HVAC system and no direct sunlight, the max. size is 25 \* 20m.

**HELPFUL HINT:** Save any leftover planks. Do not discard as they are color matched (dye-lot) to your floor. They can be used for replacement in the event you need to replace a plank in the future. If you have any problems or questions, contact us at [info@contesse-floors.com](mailto:info@contesse-floors.com). Tel 0032 9 222 35 25





**Installation Instructions**  
**ISOCORE XL Wood**  
Multi-Layer Modular Luxury  
Vinyl Plank Flooring

**Product Description**  
220 mm x 1520 mm  
Rigid Core Vinyl Planks

**Grade Levels**  
Above Grade / On Grade  
Below Grade

**Installation Method**  
Floating - Drop and Lock

## Care and Maintenance

### ROUTINE MAINTENANCE

- Sweep, dust mop, dry Swiffer®, or vacuum (with hard surface attachment) your floor on a daily basis. Never use a vacuum with a beater bar.
- Use any ph-neutral good quality vinyl cleaner or a non-rinsing, biodegradable cleaner that leaves no residue or haze and requires no rinsing after application.
- Remove any standing water, pet urine and other liquids promptly.

### PREVENTIVE MAINTENANCE

- Use non-staining mats at all entrances to avoid discoloration from asphalt driveways and to prevent dirt and grit from being tracked onto your floor. Rubber backed mats can discolor your floor.
- Use flat floor protectors (nylon or felt) on all furniture legs. Clean protectors periodically to remove grit that may become embedded and cause scratching.
- Do not drag or slide heavy furniture or objects across your floor to avoid scuffing and scratching.
- Do not use any dust cleaners as this may cause your floor to become slick or damage the finish.
- Do NOT use a steam cleaner of any kind.
- Do not use any abrasive cleaner, vinegar, oil soaps, harsh detergents, "mop & shine" products or wax (wax will not penetrate Contesse® ISOCORE and will discolor your floor.)
- Avoid spills of paints, dyes, or harsh chemicals.
- Clip pet nails. Pets with unclipped nails may scratch your floor.
- Avoid long term exposure to direct sunlight. Use window treatments or UV tinting on windows.
- For office chairs with casters we recommend the use of a "hard surface (non-studded), non-staining chair mat" to protect your floor. For occasional rolling furniture, use broad surface non-staining casters engineered for "hard surface" floors that are a minimum of 2.5 cm wide at least 5.10 mm in diameter.

If you have any questions or concerns about caring for your Contesse® ISOCORE floor please contact us using the following options:

You can email us directly at: [info@contesse-floors.com](mailto:info@contesse-floors.com)

Check out our website at [www.contesse-floors.com](http://www.contesse-floors.com)

**Find us on social media: Contesse Flooring**

### REMINDERS!

1. Retain your sales receipt or online order information.
2. Keep records of the style and run number of your floor. This appears on the end of the carton along side the barcode.

STYLE of Contesse®: \_\_\_\_\_ Run numbers: \_\_\_\_\_

## Warranty

### Limited 25-year Residential Warranty/ Limited 10-year Commercial Warranty

Contesse® will furnish replacement flooring free of charge if there is a loss of original pattern under normal residential use of Contesse® for as long as the purchaser continues to remain in the residence of the original installation provided the flooring is installed and maintained according to the instructions included. This warranty is nontransferable and pro-rated.

### REIMBURSEMENT

Reimbursement is gradual. Y = year of the justified complaint:

#### Residential guarantee reimbursement

$100 - (Y \times 100/25)$ . Example: if after 6 years there is a justified complaint, the reimbursement will be  $100 - (6 \times 100/25) = 76\%$  of the original amount.

#### Commercial guarantee reimbursement

$100 - (Y \times 100/10)$ . Example: if after 6 years there is a justified complaint, the reimbursement will be  $100 - (6 \times 100/10) = 40\%$  of the original amount.

This warranty does not include labor or the cost of labor for installation of the replacement flooring nor does it include damage due to improper installation or maintenance, alkalis in the subfloor or conditions arising from hydrostatic pressure, burns, tears, indentations, stains, or reduction in gloss due to normal use and or exterior applications.

Scratches are not covered by the warranty.

This warranty shall not include loss of time, inconvenience, incidental expenses (such as telephone calls) included in the removal or reinstallation of the affected material, and any other incidental or consequential damages.

This warranty gives you specific legal rights and you may have other legal rights, which vary from state to state.

This warranty is in lieu of any other warranties expressed or implied.

This warranty service is available only by notice to Contesse® through the dealer from whom the purchase was made. Notification must be accompanied by a copy of the original invoice and can only be authorized by Contesse®.

**LISEZ COMPLÈTEMENT CE MANUEL AVANT L'INSTALLATION** : Il contient des informations importantes pour les conditions de pré-installation, instructions d'installation, ainsi que les soins et l'entretien.

Contesse® ISOCORE avec la technologie ISOCORE<sup>MC</sup> est un produit en instance de brevet.

## Introduction

Le couvre-plancher fait de planches Contesse® ISOCORE XL WOOD allie l'installation facile abaissez et pressez pour emboîter, dotée de l'innovante Technologie ISOCORE<sup>MC</sup> et une âme imperméable, forte et stable qui offre une performance, une durabilité et une longévité exceptionnelles. Les planches possèdent une sous-couche acoustique aidant à minimiser la propagation du son.

Contesse® ISOCORE est léger et facile à poser grâce à l'installation facile abaissez et pressez pour emboîter. Le mécanisme emboîtable DropLock 100 sur les joints d'extrémité accroît la rapidité d'installation et permet l'alignement des surfaces des planches adjacents.

Le couvre-plancher Contesse® ISOCORE XL WOOD comporte un relief luxueux pour une apparence et une sensation naturelles. Les planches d'une longueur de 220 mm x 1520 mm offre une apparence de bois personnalisée et authentique.

La flexibilité Contesse® permet l'installation des planches sur des planchers existants faits de bois naturel, de ciment, de vinyle, de linoléum et même de céramique, vous faisant sauver temps et argent! (Consulter la préparation du sous-plancher à la page 6.)

Contesse® ISOCORE est imperméable, Il peut donc être installé dans des

endroits qui, traditionnellement, étaient « hors normes » pour des planchers de bois traditionnels et des produits laminés, comme les sous-sols et les salles de bains. Contesse® ISOCORE n'est pas conçu pour servir de pare-vapeur. Il ne protégera pas contre les dommages causés par les inondations, l'humidité excessive, les alcalis ou des conditions reliées à la pression hydrostatique dans le sous-plancher. (Consulter la préparation du sous-plancher à la page 6.)

Contesse® ISOCORE possède une couche de nano particules de céramique pour une plus grande résistance à l'usure et aux taches. De plus, Contesse® ISOCORE est traité avec Ultra-Fresh pour freiner la croissance des moisissures responsables des taches et des mauvaises odeurs sur la sous-couche préalablement fixée et la couche à la surface du couvre-plancher.

Contesse® est confortable sous le pied, plus chaud l'hiver et plus frais l'été que les autres matériaux de couvre plancher à surface dure.

Suivez les instructions pour l'installation dans la section suivante et vous pourrez apprécier votre beau plancher tout neuf en seulement quelques heures.

## Préinstallation

### OUTILS NÉCESSAIRES

Couteau à lame rétractable & règle de précision • Ruban de mesure • Cisailles pour couper autour des objets de forme irrégulière (tuyaux) • Espaceurs 10 mm • Crayon • Bloc de battage (optionnel) • Un maillet à surface tendre

### LES PLANCHES NÉCESSAIRES POUR RÉALISER VOTRE PROJET

Mesurez la longueur et la largeur de votre pièce. Si la pièce est pourvue d'alcôves ou des décalages, mesurez-les séparément. Vous obtiendrez la surface en pieds carrés de la pièce. Achetez au moins 10 % de plus pour couvrir les erreurs, les coupes et pour les besoins et ou remplacements futurs. La plupart des installations nécessitent environ 10 % de surplus. Néanmoins, cela peut varier selon la grandeur et la disposition de la pièce.

Contesse® ISOCORE est disponible en planches de 220 mm x 1520 mm ou 0,33 m<sup>2</sup> par planche. 8 planches par boîte = 2,66 m<sup>2</sup> par boîte. Ainsi, si la pièce mesure 3 m x 3 m ou 9 m<sup>2</sup>, vous devriez acheter ou 4 boîtes (10,64 m<sup>2</sup>).

**CONSEIL UTILE** : Pour de meilleurs résultats, il est important d'acheter le produit (boîtes) du même numéro de SÉRIE (lot de teinture). Toujours installer les planches à partir de 3 ou 4 différentes boîtes à la fois. Les séries de numéros différents peuvent avoir des variations de teinte. Chaque boîte d'Contesse® a son numéro de série inscrit à chaque extrémité de la boîte. Exemple d'un numéro de série : 30.01.2016. Si vous avez plus d'un numéro, nous recommandons que vous installiez les planches à partir de 3 ou 4 différentes boîtes de différents numéros de série en même temps et que vous les mélangez aléatoirement dans votre installation. Cela donnera l'apparence d'un plancher plus naturel.

soleil; les portes coulissantes ne peuvent pas être ouvertes en permanence pendant l'été: elles sont considérées comme étant placées à l'extérieur et ne sont donc pas couvertes par la garantie. L'exposition à long terme aux rayons directs du soleil peut causer des dommages à votre plancher. Contesse® eut se décolorer, pâlir ou se déformer si les fenêtres ne sont pas adéquatement couvertes ou teintées contre les UV. Utilisez des traitements ou faites teinter les fenêtres contre les UV. Contesse® n'est pas conçu pour une utilisation dans les escaliers ou sur des surfaces verticales. Ne pas coller, clouer, visser ou fixer au soubassement. Posez les armoires, les comptoirs îlot et péninsule, les vanités, les baignoires et les douches en premier. Installez ensuite Contesse® tout autour. Pour plus d'informations sur les spécifications d'installation, consultez le tableau de la page 7. **Si ces indications ne sont pas suivies, la garantie sera annulée.**

### CONDITIONNEZ CONTESSE® AVANT L'INSTALLATION

Contesse® ISOCORE ne requiert pas d'acclimatation avant son installation. Nous recommandons toutefois de l'installer dans des pièces dont les températures se situent entre 13 °C et 32 °C. Le système CVCA doit être en marche avant, pendant et après l'installation. Le produit doit être entreposé à l'horizontale dans un endroit sec, à l'abri des rayons directs du soleil. Ne le laissez pas près de conduits de chauffage ou de refroidissement. Assurez-vous que tous les travaux sont terminés pour éliminer la poussière des cloisons sèches, la peinture, etc.

**REMARQUE** : Soumettre Contesse® ISOCORE à des températures extrêmement froides ou chaudes avant son installation pourrait le rendre plus difficile à installer ou causer des dommages à son système d'emboîtement. Laissez le produit atteindre la température de la pièce avant son installation.

### LIMITATIONS DANS L'INSTALLATION D' CONTESSE®

N'installez pas Contesse® ISOCORE par-dessus un tapis ou par-dessus toute sous-couche de mousse. Ce produit ne convient pas à une utilisation extérieure, aux serres, aux solariums, aux saunas, aux tentes-caravanes, aux bateaux ou aux pièces sujettes aux inondations. Éviter d'installer ce produit dans les pièces ou les maisons dont la température n'est pas contrôlée ou dans le vérandas installées avant 2015. Le sol ne doit pas être exposé à la lumière directe du

## PRÉPARATION DU SOUS-PLANCHER

La surface du sous-plancher doit être lisse, plane, sèche, propre et solide. Les agrafes pour tapis ou les résidus d'adhésif doivent être retirés pour garantir une installation adéquate.

Les sous-planchers devraient être plats, avec une tolérance de 6,35 mm sur 3,05 m). Les sous-planchers ne devraient pas avoir une pente descendante de plus de 2,5 cm par 1,8 m dans toute direction. Les cavités ou les bosses pourraient empêcher les carreaux Contesse® ISOCORE de s'emboîter correctement. Remplissez les grosses fissures, cavités ou lignes de joints avec un composé de resurfaçage et de ragréage à base de ciment. Au besoin, éliminez toute zone surélevée. Ne pas sabler, scier, pulvériser, ébrécher, projeter de billes ou gratter à sec les planchers de vinyle existants, les endos, les feutres pour doublure, le bitume, les adhésifs de bitume fluidifiés ou autres adhésifs, car ils pourraient contenir de l'amiante ou de la silice cristalline.

**REMARQUE :** Différents organismes fédéraux, provinciaux et locaux sont dotés de leurs propres réglementations relatives au retrait de matériaux installés qui contiennent de l'amiante. Si vous songez à retirer un revêtement de plancher souple existant contenant ou pouvant contenir de l'amiante, vous devez lire et respecter toutes les réglementations applicables. Pour plus d'informations, visitez le site internet du Resilient Floor Covering Institute au [www.rfci.com](http://www.rfci.com)

Les sous-planchers doivent être soigneusement vérifiés afin de voir s'il y a des problèmes d'humidité. Bien qu'Contesse® ISOCORE soit imperméable, il ne peut servir de pare-vapeur ou de protection contre l'eau. Tout problème d'humidité doit être réglé avant l'installation. Les nouveaux planchers de béton doivent sécher durant un minimum de 90 jours. Pour plus d'informations, consultez le tableau de la page 7.

## Conseils D'installation

Conditions environnementales intérieures	13 °C à 32 °C et 40 % à 60 % d'humidité relative
Acclimatation à usage résidentiel	Non requis
Acclimatation pour une utilisation commerciale	Acclimater le produit durant 48 heures (entre 13 °C et 32 °C)
Tolérance de planéité du sous-plancher	6,35 mm sur 3,05 m ou 3,18 mm sur 1,83 m
Pare-vapeur (polyéthylène 6 mil)	Voir le tableau d'installation à la page 7
Coussinet de sous-couche requis	Non. Contesse® ISOCORE comprend un coussinet de sous-couche préalablement fixé.
Planchers à chauffage radiant	Doit être 12.7 mm sous le sous-plancher. AUCUN tapis chau. La température de surface du substrat ne doit pas dépasser 30 °C.
Exigences pour l'espace de dilatation du périmètre	Écart de 10 mm autour des murs et des objets lourds permanents (armoires)
Moultures de transition	Un profil d'expansion est nécessaire dans chaque ouverture de porte ou lorsque la taille maximale de la pièce est atteinte. Pour une utilisation résidentielle standard avec une température entre 15 et 35 °C, la température max. La taille de la chambre est 11 * 14 m. Pour les pièces avec des températures plus extrêmes de 5 à 65 °C, ou une exposition au sud, le max de la taille de la pièce est de 8 * 8 m. Pour les pièces avec un système HVAC continu et sans lumière directe du soleil, le max. de la taille est de 25 * 20m.
Directives pour installation avec colle	NON RECOMMANDÉE. Annule la garantie

## Spécifications D'installation

Type de connexion	Les rebords emboîtables de DropLock 100 sur les extrémités courtes (clique)
Plancher flottant libre	Oui. Ne pas visser ou clouer les moulures, des transitions, des armoires ou des événements à travers n'importe quel plancher Contesse®
Plage de température pendant acclimation et l'installation	13° C à 32° C. Après l'installation, la température doit rester entre 10° C - 35° C
Produit intérieur seulement	Oui. Voir les limitations / exclusions ci-dessous
Stockage	Horizontalement
Numéro de SÉRIE (lot de teinture)	Oui. Installer à partir d'un minimum de 3 à 4 cases différentes et les lots de teinture à un moment. Voir page 5 pour plus d'informations
Espace Expansion	Oui. Pour autour de la pièce et les objets fixes veuillez laisser un espace de 10 mm
Tolérances de planéité de plancher	6,35 mm sur 3,05 m. Utilisez niveleur de sol en cas de dépassement de tolérance
Outils nécessaires	Oui. Couteau à lame rétractable & règle de précision, ruban de mesure, un maillet en caoutchouc (pour exploiter et verrouiller les coutures de planches), des cisailles et des espaceurs de 10 mm
Rouleau de main nécessaire	Non
Rouleau de plancher d'au moins 75 livres (34 kg)	Non
Les lignes directrices de lecture d'humidité SUR LE BÉTON	Sur la base de béton Tramex Moisture Encounter mètre (échelle de 0 à 6%)
échelle de 0 à 4%	Pas de barrière contre l'humidité
échelle de 5% à 6%	6 mil poly barrière nécessaire
échelle plus de 6%	Utiliser Dricore
Les lignes directrices de lecture d'humidité SUR LE BOIS	Ne jamais utiliser de 6 mil poly sur le dessus du sous-planchers en bois
(échelle de 0 à 13%)	OK pour installer. Ne pas installer au-dessus des niveaux d'humidité 13%
Primer au-dessus du sous-planchers en bois	Non
Basement Proofer sur du béton	Non
Barrière contre l'humidité (6 mil poly)	Oui. Au-dessus de 5% seulement
S'installe sur un plancher radiant	Oui. Électrique ou hydraulique approuvé - les meilleures pratiques est encastré un minimum de 12.7 mm au-dessous du plancher fini. La température de surface du substrat ne doit pas dépasser 30° C.
Planchers de bois suspendus	Oui. 45,7 cm minimum bien ventilé vide sanitaire. Utilisez barrière contre l'humidité sur le fond / saleté, surtout pour les maisons mobiles
Mousse/ sous-couche matelassée	Non. Annule la garantie s'il est utilisé dans n'importe quelle application
Sous-planchers approuvés - voir ci-dessous	Doit être lisse, solide, sec et aucune déviation
Bois	Oui. Solide, ingénierie, parquet, mais pas les planchers en bois installé sur du béton
Contreplaqué	Oui. OSB, Luan et panneaux de particules sont approuvés pour les produits Contesse® seulement.
Vinyle	Oui. Installer sur seulement 1 couche : Linoleum, VCT, LVT, autocollante
Béton	Oui. Scellés, non étanches, coulé en place de gypse Le niveau du sol ou sous (voir les lignes directrices de l'humidité)
Carreau (Pierre)	Oui. Céramique, le terrazzo, les carreaux de pierre (toutes les lignes de coulis de moins de 10 mm)
Dricore	Oui
Les sous-planchers non approuvés	Tapis (tout type), la sous-couche de mousse, vinyle matelassé, caoutchouc, liège, stratifiés, plancher flottant libre
Produits de sous-plancher approuvés	Primaire - Custom Building Products (CBP) Level Quik Primer, Basement Proofer - Custom Building Products, RedGard Waterproofing & Crack prevention, Niveleur de sol - de-chaussée du niveleur - CBP Level Quik
Limitations/Exclusions	Voir limitations de montage et limitations de garantie
Nettoyeur vapeur	NE PAS UTILISER
Les surfaces verticales et des escaliers	Ne sont pas couverts par la garantie. Peut être fait en utilisant un adhésif de construction de haute qualité. Produit non destinés à cet usage
Garanties	Limitées résidentiel de 25 ans / Limitées commerciale de 10 ans

## Installation

**Avant l'installation, inspectez attentivement toutes les carreaux afin de voir si elles ne présentent pas de défaut visible, de dommages ou de défaut de lustre, sous un éclairage adéquat (la lumière du jour est préférable). N'INSTALLEZ PAS de matériaux endommagés ou défectueux.**

- Commencez par poser une rangée de planches (figure 1) sans les fixer solidement les unes aux autres pour déterminer si vous aurez besoin d'ajuster la longueur de la première planche pour éviter de vous retrouver avec un petit morceau de moins de 20,3 cm au bout de la rangée, ou bien mesurez la longueur de la pièce et divisez par 1520 mm (longueur d'une planche).

- Commencez l'installation dans un coin (côté gauche) et continuez en vous éloignant du mur avec la languette vers le mur. Laissez un espace de 10 mm pour l'expansion du produit, lequel devrait être couvert par des moulures (figure 2). Fixer des espaceurs de 10 mm pour créer l'espace d'expansion nécessaire.

- En déposant la première rangée en ligne droite, emboîtez les extrémités courtes en insérant le bord langueté dans les rainures à un angle d'environ 10 à 20 degrés (figure 3). Installez chaque planche subséquente à l'extrémité courte 220 mm et assurez-vous de l'aligner également. Utilisez un marteau souple face à exploiter sur le dessus de planches sur la couture court pour assurer un ajustement serré (figure 7). Cela est très important pour réussir une bonne installation.

Au moment de couper Contesse® ISOCORE, utiliser un couteau à lame retractable et règle de précision. Mesurer la planche pour la longueur désirée et marque avec un crayon. Ensuite, marquer avec un couteau sur le dessus de la planche premier (plusieurs passes) et puis enclenchez la planche. Vous aurez aussi besoin de couper de la sous-pad sur le fond de la planche.

**CONSEIL UTILE:** les installateurs professionnels ou ceux qui ne craignent pas les outils électriques peuvent également utiliser une scie circulaire avec lame à dents de carbure pour faire des coupes droites. Si vous utilisez un outil électrique, assurez-vous de porter des lunettes de sécurité et un masque protecteur contre la poussière et de travailler dans un endroit bien ventilé à l'extérieur de la pièce où l'installation a lieu. Assurez-vous que les débris de la coupe sont retirés de tous les mécanismes d'emboîtement avant l'installation.

- Lors de l'installation de Contesse® ISOCORE, décalez les rangées afin d'éviter que les joints des extrémités courtes ne forment une ligne droite continue. Nous recommandons la méthode d'installation décalée aléatoire (figure 4). Pour l'ensemble de l'installation, maintenez un décalage des joints d'extrémité minimal de 20,3 cm d'une rangée à l'autre.

- Commencez la deuxième rangée avec la planche coupé à 2/3 de sa longueur, ou couper à la longueur désirée pour l'apparence décalée souhaitée (planche de coupe ne devrait pas être inférieure à 20,3 cm. Fixez la première planche de la rangée 2 en reliant son côté long à la première rangée.

Conservez un espace d'expansion de 10 mm. Fixez ensuite la seconde planche en reliant son côté long à la première rangée et en le glissant vers l'extrémité courte de la première planche, puis abaissez et pressez pour emboîter (voir figure 5). Pour assurer un ajustement serré, utilisez un bloc de battage et d'un maillet à surface tendre sur les longues coutures (figure 6), puis, appuyez sur le dessus des planches au niveau des coutures courtes (figure 7).

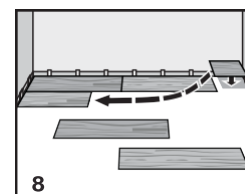
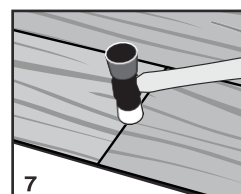
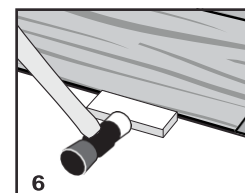
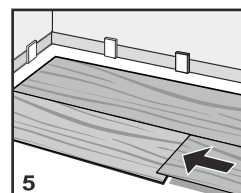
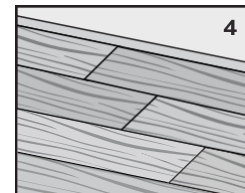
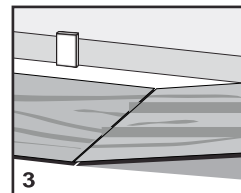
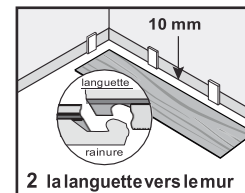
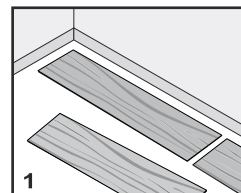
**CONSEIL UTILE:** Si vous ne possédez pas de cale de frappe, vous pouvez utiliser un petit morceau de retaille d'une planche de vinyle (approximativement 152 mm) comme cale de frappe.

- Lorsque vous couperez une planche pour commencer une rangée, vous aurez besoin de couper l'extrémité comportant une rainure. La pièce restante peut être utilisée du côté opposé de la pièce, à la fin de la rangée, si la disposition le permet (voir figure 8). Consultez figure 2 pour obtenir une image rapprochée du mécanisme emboîtable.

- L'ajustement autour des objets irréguliers n'est pas un problème. Préparez simplement un gabarit avec du papier pour ajuster autour des tuyaux ou des objets irréguliers. Placez le gabarit sur la planche et tracez. Coupez sur les lignes tracées utilisant un couteau à lame rétractable ou des ciseaux à usage industriel, et posez la planche. Assurez-vous de laisser un minimum de 10 mm d'espace d'expansion autour de tous les objets fixés, armoires et montants de porte en métal. Coupez les montants de porte de bois. Avec du silicone imperméable à 100 % de qualité supérieure, remplissez tous les espaces d'expansion des endroits où il peut y avoir de l'eau comme les environs des réfrigérateurs, baignoires et appareils électroménagers.

**REMARQUE** Un profil d'expansion est nécessaire dans chaque ouverture de porte ou lorsque la taille maximale de la pièce est atteinte. Pour une utilisation résidentielle standard avec une température entre 15 et 35 ° C, la température max. La taille de la chambre est 11 \* 14 m. Pour les pièces avec des températures plus extrêmes de 5 à 65 ° C, ou une exposition au sud, le max de la taille de la pièce est de 8 \* 8 m. Pour les pièces avec un système HVAC continu et sans lumière directe du soleil, le max. de la taille est de 25 \* 20m.

**CONSEIL UTILE:** Conservez les planches restants. Ne les jetez pas, car ils sont assortis à votre plancher (lot de teinture). Ils pourront être utilisés pour remplacer une planche endommagé, au besoin. Si vous avez des questions ou des préoccupations, veuillez communiquer avec nous : [032 9 222 35 25](tel:03292223525)





## Soins Et Entretien

### ENTRETIEN COURANT

- Utilisez quotidiennement un balai, une vadrouille sèche, un dry Swiffer® ou un aspirateur (avec un accessoire pour surface dure) sur votre plancher. N'utilisez pas d'aspirateur avec une barre de battage.
- Utilisez un nettoyeur pour vinyle à pH neutre de bonne qualité ou un nettoyeur sans rinçage biodégradable ne laissant aucun résidu ou brume et ne nécessitant aucun rinçage après l'application.
- Enlevez rapidement toute eau stagnante, urine d'animal ou autre liquide.

### ENTRETIEN PRÉVENTIF

- Utilisez des tapis qui sont non-coloration dans toutes les entrées afin de prévenir la décoloration causée par l'asphalte de votre entrée de cour ou pour éviter que de la saleté ou du gravier se retrouvent sur votre plancher. Les tapis à endos de caoutchouc peuvent décolorer votre plancher.
- Utilisez des protecteurs de plancher (en nylon ou en feutre) sur toutes les pattes des meubles. Nettoyez les protecteurs périodiquement afin de retirer le gravier qui pourrait s'y incruster et égratigner le plancher.
- Pour éviter les éraflures et les rayures, ne traînez pas et ne faites pas glisser de meubles lourds ou d'objets sur le plancher.
- N'utilisez aucun nettoyeur à poussière, car cela pourrait rendre votre plancher glissant ou endommager son fini.
- N'utilisez AUCUN nettoyeur à vapeur.
- N'utilisez aucun nettoyeur abrasif, vinaigre, savon à l'huile, détergent fort, produit « mop and shine » et aucune cire (la cire ne pénétrera pas Contesse® ISOCORE et décolorera votre plancher.)
- Évitez les dégâts de peinture, de teinture ou de produits chimiques forts.
- Taillez les griffes des animaux, car les griffes non taillées peuvent égratigner votre plancher.
- Évitez une exposition prolongée aux rayons directs du soleil. Utilisez des traitements pour les fenêtres ou faites teinter celles-ci contre les rayons UV.
- Pour les chaises de bureau à roulettes, nous recommandons l'utilisation d'une surface dure (non-clouté), non-coloration tapis de chaise pour protéger votre plancher. Pour le mobilier roulant occasionnel, utiliser une large surface roulettes non-coloration d'ingénierie pour les planchers « surface dure » qui sont un minimum de 2,5 cm de large au moins 5,10 mm de diamètre.

Si vous avez des questions ou des préoccupations au sujet de l'entretien de votre plancher Contesse® ISOCORE, veuillez communiquer : [info@contesse-floors.com](mailto:info@contesse-floors.com).

Vous pouvez également nous écrire directement par courrier électronique au : [info@contesse-floors.com](mailto:info@contesse-floors.com)

Consultez notre site web au : [www.contesse-floors.com](http://www.contesse-floors.com)

**Retrouvez-nous sur les médias sociaux : Contesse flooring**

### RAPPELS!

1. Conservez vos reçus de caisse ou les informations concernant votre commande en ligne.
2. Conservez les informations relatives au style et au numéro de série de votre plancher. Elles se trouvent au bout de l'emballage aux côtés du code à barres.

MODÈLE d'Contesse® : \_\_\_\_\_ Numéros de série : \_\_\_\_\_

## Garantie

### Garantie limitée résidentielle de 25 ans / Garantie limitée commerciale de 10 ans

Contesse® fournira un plancher de remplacement sans frais s'il y a une détérioration du modèle original sous usage normal résidentiel d'Contesse®, aussi longtemps que l'acheteur demeure dans la résidence de l'installation originale, à condition que le plancher ait été installé et entretenu conformément aux instructions ci-incluses. Cette garantie n'est pas transférable et est pré-évaluée.

### REMBOURSEMENT

Le remboursement est progressif. Y = année de la plainte justifiée :

#### Garantie résidentielle remboursement

100 - (Y x 100/25). Donc si après 6 ans il y a une plainte justifiée, le remboursement sera de  $100 - (6 \times 100/25) = 76\%$  du montant initial.

#### Garantie commerciale remboursement

100 - (Y x 100/10). Donc si après 6 ans il y a une plainte justifiée, le remboursement sera de  $100 - (6 \times 100/10) = 40\%$  du montant initial.

Cette garantie n'inclut pas la main-d'œuvre ou le coût de la main-d'œuvre pour l'installation du plancher de remplacement et sont exclus les dommages causés par une installation incorrecte ou un entretien inadéquat, alcalis dans le sous-plancher ou les conditions provenant de la pression hydrostatique, les brûlures, fentes, dentelures, taches, ou réduction de la brillance en raison d'usage normal ou des applications extérieures.

Rayures ne sont pas couverts par la garantie.

Cette garantie n'inclut pas les pertes de temps, les inconvénients, les dépenses fortuites (tels que les appels téléphoniques) se produisant pendant l'enlèvement ou la réinstallation du matériel affecté, et tous les autres dommages accessoires ou indirects.

La présente garantie vous accorde certains droits légaux spécifiques et il se peut que vous ayez d'autres droits légaux, qui varient d'un état à l'autre.

Cette garantie remplace toutes autres garanties exprimées ou implicites.

Ce service de garantie est disponible seulement par avis écrit à Contesse® chez le détaillant où l'achat a été fait. L'avis doit être accompagné d'une copie de la facture originale et peut être autorisé seulement par Contesse®.

**LEES DEZE HANDLEIDING VÓÓR HET LEGGEN GEHEEL DOOR:** de handleiding bevat belangrijke informatie over vereiste voorbereidingen, montage-instructies en onderhoudstips.

Contesse® ISOCORE met ISOCORE™ Technology is patent aangevraagd.

## Inleiding

Contesse® ISOCORE XL WOOD is gemakkelijk te plaatsen via het kliksysteem drop-and-lock, en beschikt over de innovatieve ISOCORE Technology™. Isocore is een waterbestendig, sterke en stabiele kern die uitstekende prestaties, slijtvastheid en duurzaamheid biedt. De planken hebben tevens een geluiddempende onderlaag die het doorgeven van geluid helpt te minimaliseren.

Contesse® ISOCORE is licht van gewicht en eenvoudig te plaatsen door de gebruiksvriendelijke drop-and-lock montage. Het DropLock 100 kliksysteem op de eindverbindingen verhoogt de montagesnelheid en lijnt de oppervlakken uit met de aangrenzende planken.

Contesse® ISOCORE XL WOOD heeft een luxe structuur met een natuurlijke uitstraling. De planken meten 220 mm x 1520 mm en zien er uit als een op maat gemaakte, authentieke houten vloer.

Contesse® is zo flexibel dat de planken kunnen worden gelegd op bestaande vloeren van echt hout, beton, vinyl, linoleum en zelfs keramiek, wat u tijd en geld bespaart! (Zie het gedeelte over de voorbereiding van de ondervloer op pagina 10.)

Contesse® ISOCORE is waterbestendig en kan dus worden gelegd in ruimtes die altijd 'off-limits' waren voor traditionele houten vloeren en laminaten, zoals

kelders en badkamers. Contesse® ISOCORE is niet bedoeld als vochtscherm. Het beschermt niet tegen schade door overstroming, overmatige vochtigheid, alkaliën of omstandigheden door hydrostatische druk in de ondervloer. (Zie het gedeelte over de voorbereiding van de ondervloer op pagina 10.)

Contesse® ISOCORE heeft een coating van Ceramic Bead, keramische parels, voor extra slijtvastheid en vlekbestendigheid. Bovendien is Contesse® ISOCORE behandeld met Ultra-Fresh om geurtjes en ongewenste schimmels en meeldauw op het aangehechte underlayment en de bovenlaag van de vloer tegen te gaan.

Contesse® voelt aangenaam aan, warmer in de winter en koeler in de zomer, beter dan andere harde vloermaterialen.

Volg de montage-instructies in het volgende deel en u kunt al binnen een paar uur van uw mooie nieuwe vloer genieten.

## Voorafgaand aan de installatie

### BENODIGD GEREEDSCHAP

Scherp mes & richtlat • Meetlint • Schaar om rond onregelmatig gevormde objecten te knippen (leidingen) • Afstandhouders van 10 mm • Potlood • Stootblok (optioneel) • Zachte hamer

### HOEVEEL PLANKEN HEEFT U NODIG?

Meet de lengte en breedte van de ruimte. Als de ruimte nissen heeft, meet u deze afzonderlijk. Dit geeft u het aantal vierkante meters van de ruimte. Reken minimaal 10% extra voor eventuele fouten en snijdelen, en voor uitbreiding of vervanging in de toekomst. Meestal is ongeveer 10% extra nodig. Dit kan echter verschillen, afhankelijk van de grootte en indeling van de ruimte.

Contesse® ISOCORE is verkrijgbaar als planken van 220 mm x 1520 mm, ofwel 0,33 m<sup>2</sup> per plank. 8 planken per doos = 2,66 m<sup>2</sup> per doos. Als uw ruimte dus 3 m x 3 m of 9 m<sup>2</sup> is, raden we aan 4 dozen (10.64 m<sup>2</sup>) aan te schaffen.

**HANDIGE TIP:** Kies voor het beste resultaat producten (dozen) met hetzelfde RUN-nummer (partijnummer), als dat mogelijk is. Leg de planken altijd uit 3 tot 4 dozen tegelijk. Verschillende partijen kunnen kleine kleurnuances hebben. Op elke doos van Contesse® staat het partijnummer afgedrukt, aan de uiteinden. Voorbeeld van een RUN-nummer: 30.01.2016. Als u meer dan één partij hebt, raden we aan planken te leggen uit 3 of 4 dozen van verschillende partijen tegelijk en deze willekeurig te mengen tijdens het leggen. Zo wordt de vloer zo natuurlijk mogelijk.

### CONTESSE® MONTAGEBEPERKINGEN

Leg Contesse® nooit op tapijt of foam underlayment. Dit product is niet geschikt voor gebruik buitenshuis, solariums, sauna's, tijdelijke veranda's, caravans, boten, campers of ruimtes met overstromingsrisico. Leg de vloer niet in ruimtes of huizen zonder klimaatbeheersing of in veranda geplaatst voor 2015. De vloer mag niet blootgesteld worden aan direct zonlicht; schuifdeuren kunnen tijdens de zomer niet constant open staan: beide worden beschouwd als plaatsing buiten en vallen dus niet onder de garantie. Langdurige blootstelling aan direct zonlicht kan de vloer beschadigen. Als geen schaduw of UV-getinte ramen aanwezig zijn, kan de Contesse® verkleuren, vervagen of vervormen. Zorg voor raambekleding of UV-bescherming op ramen. Contesse® is niet geschikt voor gebruik op trappen of verticale oppervlakken. Maak de vloer niet vast aan de ondervloer met lijm, spijkers, schroeven of andere bevestigingsmanieren. Plaats eerst (keuken) kasten, kookeilanden, aanrechten, wastafelmeubels, badkuipen en douchebakken. Leg de Contesse® er vervolgens omheen. Zie voor meer informatie over

montagespecificaties het diagram op pagina 11. **Als deze richtlijnen niet worden gevolgd, vervalt de garantie.**

### TOESTAND VAN CONTESSE® VÓÓR HET LEGGEN

Voor de montage hoeft Contesse® ISOCORE niet te acclimatiseren. We raden echter aan de vloer te leggen in ruimtes met een temperatuur tussen 13°C en 32°C. De temperatuur moet stabiel zijn. Het product moet horizontaal worden bewaard, in een droge ruimte en niet in direct zonlicht. Bewaar de dozen niet naast verwarmings- of koelingsleidingen. Zorg dat alle andere bouwwerkzaamheden zijn voltooid, om zo bijvoorbeeld bouwstof en natte verf te vermijden.

**OPMERKING:** als Contesse® ISOCORE wordt blootgesteld aan extreme hitte of koude voor de montage, kan het moeilijker te leggen zijn of schade ondervinden aan het verbindingssysteem. Laat daarom het product eerst op kamertemperatuur komen voordat u het legt.

### VOORBEREIDING VAN DE ONDERVLOER

De ondervloer moet glad, droog, schoon en stevig zijn. Tapijtkrammen of lijmresten moeten worden verwijderd om de vloer correct te kunnen leggen.

Ondervloeren moeten vlak zijn, binnen een tolerantie van 6,35 mm per 3,05 m. Ondervloeren mogen niet meer dan 2,5 cm aflopen per 1,8 m, in elke richting. Gaten en hobbels kunnen zorgen dat Contesse® ISOCORE niet goed in elkaar klikt. Vul grote scheuren, gaten of voegen met een cementgebonden voegmiddel en vulmiddel. Vlak indien nodig hobbels af. Schuur, zaag, hak, zandstraal of schraap een bestaande vinylvloer, ondervloer, vilten voering, asfalt, koudasfalt of andere kleefmiddelen niet, aangezien ze asbest of andere kristallijne vezels kunnen bevatten.

**OPMERKING:** Er bestaan verschillende overheidsregels voor het verwijderen van asbestbevattende materialen. Als u vloerbedekking wilt verwijderen die (mogelijk) asbest bevat, moet u zich houden aan alle toepasselijke regels. Zie voor meer informatie de website van het Resilient Floor Covering Institute: [www.rfci.com](http://www.rfci.com).

Ondervloeren moeten uitgebreid worden gecontroleerd op problemen met vocht. Hoewel Contesse® ISOCORE waterproof is, is het geen vochtscherm. Eventuele vochtproblemen moeten worden opgelost voordat de vloer wordt gelegd. Nieuwe betonnen vloeren moeten tenminste 90 dagen drogen. Zie voor meer informatie de lijst op pagina 11.

## Belangrijke Montagetips

Binnentemperatuur bij het leggen	13°C tot 32°C & 40% tot 60% relatieve luchtvochtigheid
Acclimatisering voor gebruik in woonhuizen	Niet nodig
Acclimatisering voor commercieel gebruik	Gedurende 48 uur acclimatiseren (tussen 13°C-32°C)
Tolerantie vlakheid ondervloer	6,35 mm per 3,05 m of 3,18 mm per 1,83 m
Dampscherm (10 mm polyester)	Zie de montagelijst op pagina 10
Dempend underlayment vereist	NEE – Contesse® ISOCORE heeft een aangehechte zachte onderlaag
Vloeren met vloerverwarming	Moet 1,27 cm onder de ondervloer liggen. Alleen ingefreesde typen vloerverwarming. Temperatuur substraatoppervlak mag niet boven 30°C komen
Uitzetruimte rondom	Ruimte van 10 mm bij wanden, Ruimtevereisten zware vaste objecten (kasten)
Lijstwerk bij overgangen	Een expansieprofiel is nodig bij elke deuropening of wanneer de maximale kamergrootte wordt bereikt. Voor standaard residentieel gebruik met een temperatuur tussen 15 en 35 ° C is de max. kamergrootte is 11 * 14 m. Voor kamers met meer extreme temperaturen van 5 tot 65 ° C, of blootstelling naar het zuiden is de max. kamergrootte is 8 * 8 m. Voor ruimtes met een continu HVAC-systeem en geen direct zonlicht, is de max. grootte is 25 * 20m.
Vloer verlijmen	NIET AANBEVOLEN – Garantie vervalt

## Installatie Specificaties

Soort verbinding	DropLock 100 eindverbindingen (Klik)
Zwevende vloer	Ja. Schroef of spijker NOOIT plinten, kasten of luchtroosters door de Contesse® vloer
Temp.bereik vóór, tijdens en na montage	13° C tot 32° C. Na montage moet de temperatuur tussen 10° C en 35° C blijven
Alleen voor gebruik binnenshuis	Ja. Zie beperkingen/uitzonderingen hieronder
Opslag	Horizontaal
Kleurpartijen	Ja. Gebruik planken uit 3 tot 4 verschillende dozen en partijnummers door elkaar. Zie pagina 10 voor meer informatie
Ruimte voor uitzetting	Ja. Laat langs muren en vaste objecten 10 mm ruimte vrij
Tolerantie vlakheid vloer	6,35 mm per 3,05 m Valt de vloer buiten de tolerantie, maak deze dan vlak
Speciaal gereedschap vereist	Ja. Scherp mes en richtlat, meetlint, kunststof of rubberen hamer (om planken en verbindingen aan te kloppen), schaar, stootblok, potlood en afstandhouders van 10 mm.
Handroller vereist	Nee
Vloerroller van minstens 35 kilo	Nee
Richtlijnen vochtmeting; OP BETON	Op basis van Tramex vochtmeter voor beton (schaal 0 tot 6%)
Schaal 0% tot 4%	Geen vochtscherm
Schaal 5% tot 6%	Gebruik 10 mm polyester vochtscherm
Schaal boven 6%	Gebruik Dricore
Richtlijnen vochtmeting; OP HOUT	Gebruik nooit 10 mm polyester op houten ondervloeren
Schaal 0 tot 13%	Montage mogelijk. Montage niet mogelijk bij vochniveau boven
Primer op houten ondervloeren	Nee
Sealer op betonvloeren	Nee
Vochtscherm (10 mm polyester)	Ja, alleen boven 5%
Montage op vloerverwarming	Ja. Goedgekeurd voor elektrisch of hydronisch - aanbevolen min. 12,7 mm verdiept onder voltooide vloer. Temperatuur substraatoppervlak mag niet boven 30°C komen
Zwevende houten vloeren	Ja. Minimaal 45,7 cm goed geventileerde kruipruimte Gebruik vochtscherm op grond/aarde Speciaal voor montage in stacaravans
Underlayment schuim/dempend	Nee. Indien toegepast is garantie ongeldig
Goedgekeurde ondervloeren Moeten glad, stevig, droog en recht zijn zie hieronder	Moeten glad, stevig, droog en recht zijn
Hout	Ja. Massief hout, parket, maar niet voor hout op beton
Multiplex	Ja. OSB, spaanplaat en Luan zijn goedgekeurd voor Contesse® producten
Vinyl	Ja. Leggen over niet meer dan één laag: Vinyl, linoleum, vinyl samengestelde tegels (VCT), PVC/vinyl (LVT) en plakvinyl
Beton	Ja. Gesealed, niet-gesealed, op locatie gegoten gips Op of onder straatniveau (zie vochtrichtlijnen)
Tegel (steen)	Ja. Keramiek, Terrazo, stenen tegel (voegen van minder dan 10 mm zijn optimaal)
Dricore	Ja

Niet goedgekeurde ondervloeren	Tapijt (alle soorten), schuimrubber underlayment, vinyl met foamlaag, rubber, kurk, laminaat, zwevende vloeren
Goedgekeurde ondervloerproducten	Primer - Custom Building Products Level Quik Primer Sealer - CBP (Custom Building Products), RedGard Waterdicht en waterpas maken, scheuren voorkomen - CBP Level Quik
Beperkingen/uitzonderingen	Zie montage beperkingen en beperkingen garantie
Stoomreiniger	NIET GEBRUIKEN
Verticale oppervlakken en trappen	Vallen niet onder de garantie. Kunnen worden uitgevoerd met constructielijm van hoge kwaliteit. Product niet bedoeld voor deze toepassing
Garantie	Beperkte 25-jarige Residentiële Garantie / Beperkte 10-jarige Commerciële Garantie

## Plaatsing

**Controleer voor het leggen elke plank nauwkeurig op visuele tekortkomingen, schade en glans, met voldoende licht (bij voorkeur daglicht). Leg NOOIT beschadigd of ondeugdelijk materiaal.**

1. Leg een rij losse planken (Figuur 1) zonder deze aan elkaar vast te maken, zodat u kunt vaststellen of de eerste plank moet worden ingekort zodat u bij de muur aan het andere eind geen klein stukje plank hebt (van minder dan 20,3 cm). U kunt ook de lengte van de ruimte meten en deze delen door 1520 mm (de lengte van één plank).
2. Begin met leggen in een hoek (linkerkant) en werk vanaf de muur met de messingkant richting de wand. Laat minimaal 10 mm open om de planken ruimte te geven om uit te zetten. Dit gat moet worden bedekt door de plint (Figuur 2). Plaats afstandhouders van 10 mm om zo ruimte open te houden voor het uitzetten van de planken.
3. Klik bij het leggen van de eerste rij in een rechte lijn de korte einden aan elkaar door de messing in de groeven te plaatsen met een hoek van ongeveer 10 tot 20 graden (Figuur 3). Leg elke volgende plank aan het korte einde en controleer of ze in één lijn liggen. Gebruik een zachte hamer om de bovenkanten van de planken bij de korte zijdes goed aan te kloppen (Figuur 7). Dit is van groot belang voor een correcte en naadloze montage.

Gebruik bij het snijden van Contesse® ISOCORE een scherp mes en een richtlat. Meet de gewenste lengte af op de plank en markeer dit met een potlood. Maak met het mes eerst een kerf in de bovenkant van de plank (ga een paar keer heen en weer) en breek de plank vervolgens doormidden. Snij daarna de zachte laag aan de onderkant door.

**HANDIGE TIP:** Voor professionele vloerleggers en degenen die kunnen omgaan met elektrisch gereedschap: U kunt ook een cirkelzaag met een hardmetaal zaagblad gebruiken om rechte snedes te maken. Gebruikt u elektrisch gereedschap, draag dan een veiligheidsbril en een stofmasker en werk in een goed geventileerde ruimte buiten de kamer waar de vloer gelegd wordt. Zorg dat al het restmateriaal uit de messing en groeven is verwijderd voordat de planken koppelt.

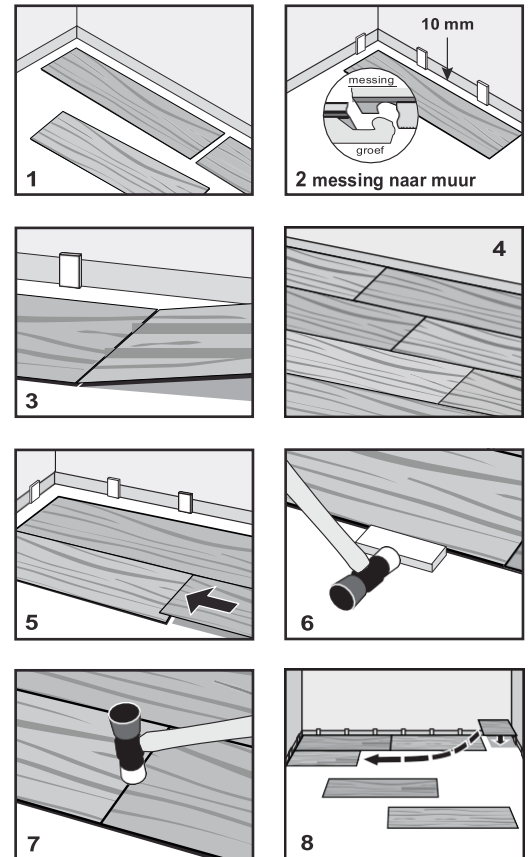
4. Laat bij het leggen van Contesse® ISOCORE de rijen zodanig verspringen dat de randen van de korte zijden niet op één rechte lijn liggen. We bevelen de willekeurig verspringende methode aan (Figuur 4). Houd tussen de rijen minimaal 20,3 cm verspringing aan voor de eindkoppelingen, over de hele vloer.
5. Begin de tweede rij met de plank die op 2/3 van de lengte is afgesneden, of snij deze op de gewenste lengte voor de verspringing die u wenst (de gesneden plank mag niet korter zijn dan 20,3 cm). Bevestig de eerste plank van rij 2 door de lange zijde aan de eerste rij te koppelen. Houd altijd een uitzetruimte van 10 mm aan. Bevestig vervolgens de tweede plank door de lange zijde aan de eerste rij te koppelen en de plank dan naar de korte zijde van de eerste plank te schuiven (Figuur 5). Klik de plank vervolgens vast. Gebruik voor een naadloze montage een stootblok en een zachte hamer op de lange zijdes (Figuur 6). Klop vervolgens op de bovenzijde van de planken bij de korte zijdes (Figuur 7).

**HANDIGE TIP:** Als u geen stootblok heeft, kunt u een reststukje van een plank gebruiken, (ongeveer 152 mm).

6. Als u een plank afsnijdt om een rij mee te beginnen, moet u het uiteinde met de groef afsnijden. Het overgebleven deel kan, als dit in het patroon past, aan de andere kant van de ruimte worden gebruikt, aan het einde van de rij. Zie Figuur 8. Zie Figuur 2 voor een gedetailleerde weergave van het koppelmechanisme aan de korte zijde.
7. Het is niet moeilijk om de vloer om onregelmatig gevormde objecten te leggen. U maakt simpelweg een mal uit zwaar papier met de vorm van leidingen of onregelmatig gevormde objecten. Plaats het patroon op de plank en teken er omheen. Snijd langs de getekende lijn met een scherp mes of stevige schaar en monteer de plank. Laat minimaal 10 mm ruimte vrij voor het uitzetten van de vloer rondom alle vaste objecten zoals kasten en metalen deurposten. Bij houten deurposten maakt u aan de onderkant een uitsparing om de vloer eronderdoor te laten lopen. Vul alle uitzetruimtes rond mogelijk natte gebieden zoals koelkasten, badkuipen en witgoed op met 100% waterdicht siliconenkit van hoge kwaliteit.

**OPMERKING:** Een expansieprofiel is nodig bij elke deuropening of wanneer de maximale kamergrootte wordt bereikt.

Voor standaard residentieel gebruik met een temperatuur tussen 15 en 35 °C is de max. kamergrootte is 11 \* 14 m. Voor kamers met meer extreme temperaturen van 5 tot 65 °C, of blootstelling naar het zuiden is de max. kamergrootte is 8 \* 8 m. Voor ruimtes met een continu HVAC-systeem en geen direct zonlicht, is de max. grootte is 25 \* 20m.





**Installatie-instructies**  
**ISOCORE XL Wood**  
Meerlagige Modulaire Luxe  
Vinyl Plankenvloer

**Productbeschrijving**  
220 mm x 1520 mm  
Stijve Kern Vinyl Stroken

**Kwaliteitsniveaus**  
Hogere verdiepingen / begane  
grond / Kelderniveau

**Installatie methode**  
Zwevend - Mes en groef

**HANDIGE TIP:** Bewaar eventuele overgebleven planken. Gooi ze niet weg, want ze passen bij de kleur (kleurpartij) van uw vloer. Ze kunnen als reserve worden gebruikt als u in de toekomst een plank van uw vloer moet vervangen. Hebt u vragen of problemen, neem dan contact op met onze Klantenservice op: [info@contesse-floors.com](mailto:info@contesse-floors.com). Tel \*32 9 222 35 25

## Onderhoud

### ALGEMEEN ONDERHOUD

- Reinig de vloer dagelijks met een bezem, droge wisser, droge Swiffer® of stofzuiger (met een mondstuk voor harde vloeren). Gebruik nooit een stofzuiger met een draaiende borstel of klopper.
- Gebruik een ph-neutrale vinylreiniger van goede kwaliteit of een afbreekbaar schoonmaakmiddel dat niet hoeft te worden uitgespoeld en geen resten of waas achterlaat.
- Verwijder eventuele plassen, huisdierenurine en andere vloeistoffen onmiddellijk.

### PREVENTIEF ONDERHOUD

- Gebruik niet-afgevend matten bij alle ingangen om vlekken van geasfalteerde wegen te voorkomen en om te zorgen dat er geen vuil en aarde van buiten op uw vloer terecht komt. Vloermatten met een rubberen achterkant kunnen vlekken op uw vloer geven.
- Gebruik platte vloerbeschermers (van nylon of vilt) op alle stoel- en tafelpoten. Maak deze beschermers af en toe schoon om eventueel vuil te verwijderen dat krassen kan veroorzaken.
- Schuif geen zware meubels of objecten over de vloer om schade en sporen te voorkomen.
- Gebruik geen stofreinigers, uw vloer kan hier glad of dof van worden.
- Gebruik NOOIT een stoomreiniger.
- Gebruik geen agressieve schoonmaakmiddelen, azijn, zeep op oliebasis, sterke reinigingsmiddelen, glansmiddelen of was (was trekt niet in Contesse® ISOCORE en veroorzaakt een verkleuring van de vloer.)
- Vermijd vlekken van verf, kleurstoffen of agressieve chemicaliën.
- Knip de nagels van uw huisdieren. Huisdieren met lange nagels kunnen krassen maken op de vloer.
- Vermijd langdurige blootstelling aan direct zonlicht. Zorg voor raambekleding of UV-bescherming op ramen.
- Voor bureaustoelen met wielletjes raden we een kunststoffen beschermmat aan die niet afgeeft. Voor meubels die alleen maar af en toe rollen, kunt u brede, niet-afgevend wielletjes gebruiken die zijn ontwikkeld voor harde vloeren en die minimaal 2,5 cm breed zijn en een diameter hebben van tenminste 5,10 mm.

Als u vragen heeft over het onderhouden van uw Contesse® ISOCORE - vloer, neem dan contact op via e-mail [info@contesse-floors.com](mailto:info@contesse-floors.com).

U kunt ons ook per e-mail bereiken: [info@contesse-floors.com](mailto:info@contesse-floors.com)

Zie ook onze website op [www.contesse-floors.com](http://www.contesse-floors.com)

**Vind ons op social media: Contesse Flooring**

### OM TE ONTHOUDEN!

1. Bewaar uw aankoopbon of bestelinformatie bij online aankopen.
2. Bewaar het type en partijnummer van uw vloer. U vindt deze informatie op het uiteinde van de doos naast de streepjescode.

TYPE Contesse®: \_\_\_\_\_ Partijnummers: \_\_\_\_\_

## Garantie

### Beperkte 25-jarige Residentiële Garantie / Beperkte 10-jarige Commerciële Garantie

Contesse® zal gratis vervangende vloerdelen leveren als het originele patroon verloren gaat bij normaal huiselijk gebruik van Contesse® zo lang de koper in het huis blijft waarin de oorspronkelijke vloer is gelegd, als deze vloer correct is gelegd en onderhouden volgens de instructies. Deze garantie kan niet worden overgedragen en wordt pro-rata berekend.

### VERGOEDING

De vergoeding gebeurt gradueel. Y = jaar van de terecht klacht :

#### Residentiële garantie vergoeding is

$100 - (Y \times 100/25)$ . Dus wanneer na 6 jaar een terecht klacht is zal de vergoeding  $100 - (6 \times 100/25) = 76\%$  van oorspronkelijk bedrag zijn.

#### Commerciële garantie vergoeding is

$100 - (Y \times 100/10)$ . Dus wanneer na 6 jaar een terecht klacht is zal de vergoeding  $100 - (6 \times 100/10) = 40\%$  van oorspronkelijk bedrag zijn.

Deze garantie dekt geen arbeidskosten voor het leggen van de vervangende vloer of de schade die is opgetreden door onjuiste montage of onderhoud, alkaliën in de ondervloer of omstandigheden die voortvloeien uit hydrostatische druk, brandschade, scheuren, deuken, vlekken of verminderde glans door normaal gebruik en/of toepassing buiten.

Krassen en dergelijke vallen niet onder garantie.

Deze garantie dekt geen tijdverlies, ongemak, incidentele kosten (zoals telefoongesprekken) die voortvloeien uit het verwijderen of leggen van het betreffende materiaal, en alle eventuele andere incidentele of gevolgschade.

Deze garantie geeft u specifieke wettelijke rechten en u hebt mogelijk andere wettelijke rechten, die van staat tot staat variëren.

Deze garantie vervangt alle andere garanties, expliciet of impliciet.

Deze garantieservice is alleen beschikbaar na kennisgeving aan Contesse® via de dealer waar de aankoop is gedaan. Bij de kennisgeving moet een kopie van de originele aankoopbon worden bijgesloten en de kennisgeving kan alleen worden geautoriseerd door Contesse®.

**▲ LEGGERE INTERAMENTE IL PRESENTE MANUALE PRIMA DELL'INSTALLAZIONE:** Contiene importanti informazioni sulle condizioni da seguire prima dell'installazione, le istruzioni d'installazione e le indicazioni per la cura e la manutenzione.

Contesse® ISOCORE con tecnologia ISOCORE™ è un prodotto in attesa di brevetto.

## Introduzione

Contesse® ISOCORE XL WOOD concilia una semplice installazione, grazie al sistema a incastro "Drop-and-Lock" dotato dell'innovativa tecnologia ISOCORE™, ad un nucleo impermeabile, resistente e stabile in grado di garantire una resa, una durata ed una longevità eccezionali. Le tavole sono persino dotate di un sottostrato in grado di attutire i rumori e ridurre la propagazione del suono.

Contesse® ISOCORE è leggero e facile da posare grazie al sistema "Drop-and-Lock" semplice da usare. Il meccanismo ad incastro DropLock 100 sui giunti di estremità consente una rapida installazione e l'allineamento delle superfici delle tavole adiacenti.

Contesse® ISOCORE XL WOOD presenta un elegante rilievo, tale da conferire un aspetto ed una sensazione naturali. Le tavole dalle dimensioni di 220 mm x 1520 mm ricreano la venatura naturale, tipica del legno.

La flessibilità di Contesse® consente la posa delle tavole direttamente su pavimenti preesistenti, siano essi in legno naturale, cemento, vinile, linoleum e persino in ceramica, consentendo di risparmiare tempo e denaro! (Consultare la sezione per la preparazione del sottopavimento a pagina 15.)

Contesse® ISOCORE è IMPERMEABILE, quindi può essere montato in ambienti considerati "off limits" per la posa di pavimenti in legno tradizionali e di prodotti in laminato, come le cantine e le stanze da bagno. Contesse® ISOCORE non è stato progettato per fare da barriera all'umidità. Non è pertanto esente da danni causati da allagamenti, eccessiva umidità, alcali o incidenti dovuti alla pressione idrostatica nel sottopavimento. (Consultare la sezione per la preparazione del sottopavimento a pagina 15.)

Contesse® ISOCORE ha un rivestimento in perline di ceramica per una maggiore resistenza all'usura e alle macchie. Inoltre, Contesse® ISOCORE è trattato con Ultra-Fresh per impedire la formazione di muffe, che causano macchie e cattivi odori nel sottopavimento precedentemente fissato e sullo strato superficiale del pavimento.

Contesse® è confortevole sotto i piedi, più caldo in inverno e più fresco in estate, rispetto ad altri materiali per la copertura di superfici dure.

Seguire le istruzioni per l'installazione nella sezione seguente, così da poter apprezzare un nuovo splendido pavimento in poche ore.

## Preinstallazione

### STRUMENTI NECESSARI

Taglierino e righello • Metro a nastro • Cesoie per tagliare la sagoma di oggetti dalla forma irregolare (tubi) • Distanziatori da 10 mm • Matita • Blocco di battuta (facoltativo) • Martello morbido

### TAVOLE NECESSARIE ALLA REALIZZAZIONE DEL PROGETTO

Misurare la lunghezza e la larghezza della stanza. Se la stanza presenta nicchie o dislivelli, questi andranno misurati separatamente. In questo modo sarà possibile ottenere la superficie in metri quadri della stanza. Acquistare almeno un 10% di materiale supplementare in caso di eventuali errori, finiture, nonché per esigenze e/o sostituzioni future. La maggior parte delle installazioni richiede circa il 10% di materiale in più. Ad ogni modo, questo dato può variare a seconda delle dimensioni e della disposizione della stanza.

Contesse® ISOCORE XL WOOD viene venduto in tavole da 220 mm x 1520 mm, equivalenti a tavole dalla superficie di 0,33 m<sup>2</sup> l'una. 8 tavole per confezione = 2,66 m<sup>2</sup> per confezione. Quindi, se la stanza su cui applicare la copertura misura 3 m x 3 m (ovvero 9 m<sup>2</sup>), consigliamo l'acquisto di 4 confezioni (10,64 m<sup>2</sup>).

**CONSIGLIO UTILE:** per un risultato migliore è importante acquistare il prodotto (confezioni) della stessa SERIE (lotto colore), ogni volta ciò si renda possibile. Installare sempre tavole di 3 o 4 confezioni diverse in una sola volta. Serie differenti possono comportare variazioni nelle sfumature. Ogni confezione Contesse® ha il numero di serie stampato sulle estremità della confezione stessa. Esempio di numero di serie: 30.01.2016. In caso vengano utilizzate serie differenti, consigliamo di installare tavole da 3 o 4 confezioni differenti in una sola volta e disporle in maniera disordinata durante l'installazione. In questo modo si otterrà un pavimento dall'aspetto più naturale.

### LIMITAZIONI NELL'INSTALLAZIONE DI CONTESSE®

Non installare Contesse® su tappeti o su altri sottostrati in schiuma. Questo prodotto non è indicato per usi esterni, solarium, saune, tende da caravan, barche, camper e roulotte, o stanze potenzialmente a rischio allagamento.

Non installare in stanze o abitazioni a temperatura non controllata o a verande fissati per il 2015. Il pavimento non deve essere esposto alla luce solare diretta; le porte scorrevoli non possono essere costantemente aperte durante l'estate: entrambe sono considerate collocate all'esterno e quindi non coperte dalla garanzia. L'esposizione prolungata alla luce solare diretta può danneggiare il pavimento. Se le finestre non sono adeguatamente schermate o se non sono realizzate in vetro anti-UV, il pavimento Contesse® può scolorirsi, sbiadire, o deformarsi. Prendere delle misure adeguate per la schermatura o montare dei vetri anti-UV. Contesse® non è indicato per l'uso su scale o su superfici verticali. Non incollare, inchiodare, avvitare o fissare al substrato. Installare prima i mobili, banchi ad isola o a penisola, lavabi, vasche da bagno e docce e solo successivamente posare Contesse® tutto intorno. Per maggiori informazioni riguardanti le specifiche tecniche, si prega di consultare lo schema a pagina 16. **Il mancato rispetto di queste linee guida invaliderà la garanzia.**

### CONDIZIONI PRELIMINARI ALL'INSTALLAZIONE DI CONTESSE®

L'installazione di Contesse® ISOCORE non richiede acclimatazione. Si raccomanda, tuttavia, l'installazione in ambienti in cui la temperatura sia compresa tra 13°C e 32°C. Il sistema di riscaldamento, ventilazione, e condizionamento deve essere acceso ed in funzione prima, durante e dopo l'installazione. Il prodotto deve essere stoccato orizzontalmente in un luogo asciutto e al riparo dalla luce solare diretta. Non lasciare le tavole accanto a condotte di calore o di raffreddamento. Assicurarsi che tutte le operazioni di montaggio siano state ultimate prima di rimuovere polvere murale secca, pittura, ecc.

**NOTA:** sottoporre Contesse® ISOCORE a temperature estremamente elevate o fredde prima dell'installazione, potrebbe renderne più difficile la posa o causare danni al sistema di fissaggio. Portare il prodotto a temperatura ambiente prima dell'installazione.



### PREPARAZIONE DEL SOTTOPAVIMENTO

La superficie del sottopavimento deve essere liscia, piatta, asciutta, pulita e solida. Eventuali punte metalliche di tappeti o residui di colla devono essere rimossi per consentire una corretta installazione.

I sottopavimenti devono essere piatti con una tolleranza di 6,35 mm su 3,05 m. In più non devono avere un'inclinazione superiore a 2,5 cm per 1,8 m in nessuna delle direzioni. Avvallamenti o rigonfiamenti possono impedire un corretto fissaggio di Contesse® ISOCORE. Riempire le grosse crepe, gli avvallamenti o le fughe con un composto cementizio livellante e riempitivo. Se necessario, tritare eventuali accumuli di detriti. Non scartare, segare, polverizzare, tagliare, effettuare una finitura con microbigliatura o grattare a secco il pavimento in vinile esistente, il fondo, rivestimenti in feltro, bitume, adesivi bituminosi o altri adesivi, poiché potrebbero contenere fibre di amianto o silice cristallina.

NOTA: diversi organismi federali, statali e locali dispongono di normative per la rimozione di materiale installato contenente amianto. In caso si decida di rimuovere una superficie esistente, contenente (o che possa contenere) dell'amianto, sarà necessario consultare e rispettare tutte le normative applicabili. Per maggiori informazioni, si prega di consultare il sito internet [www.rfci.com](http://www.rfci.com) del Resilient Floor Covering Institute.

È necessario controllare accuratamente i sottopavimenti per verificare se vi siano o meno problemi di umidità. Sebbene Contesse® ISOCORE sia impermeabile, non è una barriera contro l'umidità o un impermeabilizzante. Eventuali problemi legati all'umidità devono essere risolti prima dell'installazione. Nuovi pavimenti in cemento devono asciugare per almeno 90 giorni prima dell'installazione. Per maggiori informazioni, consultare lo schema a pagina 16.

### Consigli Importanti Per L'installazione

Condizioni ambientali interne	Da 13°C a 32°C e da 40% a 60% di umidità relativa
Acclimatazione per uso residenziale	Non richiesta
Acclimatazione per uso commerciale	Acclimatazione di 48 ore (da 13°C a 32°C)
Tolleranze di planarità del pavimento	6,35 mm su 3,05 m oppure 3,18 mm su 1,83 m
Barriera al vapore membrana (di polietilene da 0,15 mm)	Di Vedere schema d'installazione a pagina 16
Cuscinetto per sottostrato richiesto	No. Contesse® ISOCORE è già fornito di cuscinetto
Pavimenti con riscaldamento	Deve trovarsi 1,27 cm sotto il sottostrato. NESSUN tappeto elettrico. La temperatura della superficie del sottostrato non deve superare i 30°C radiante
Specifiche per la fuga di	10 mm di fuga dalle pareti e dagli oggetti fissi pesanti (armadi) dilatazione del perimetro
Modanatura di transizione	Un profilo di espansione è necessario in ogni aperture della porto o quando viene raggiunta la dimensione massima della stanza. Per uso residenziale standard con una temperatura compresa tra 15 e 35 °C, la temperature max. la dimensione della stanza è di 11*14 m. Per ambienti con temperature piu estreme da 5 a 65 °C o esposizione a sud, la temperature max. la dimensione della stanza è 8*8 m. Per le stanze con un sistema HVAC continuo e senza luce solare diretta, il max. la dimensione è 25*20 m.
Installazione con colla	SCONSIGLIATA – Invalida la garanzia

## Specifiche Per L'installazione

Tipo di connessione	Giunti di estremità DropLock 100 (ad incastro)
Pavimento flottante	Sì. NON inchiodare o avvitare modanature, transizioni, armadio scaricchia a NESSUN tipo di pavimento Contesse®
Intervallo di temperature prima, acimiation et l'installation	Da 13° C a 32° C. Dopo l'installazione la temperatura deve oscillare tra 10° C e 35° C
Prodotto esclusivamente destinato ad uso interno	Sì. Vedere le limitazioni/esclusioni di seguito riportate
Stoccaggio	Orizzontale
Lotti colore	Sì. Installare utilizzando almeno 3 o 4 confezioni e lotti colori differenti in una sola volta. Vedere pagina 14 per maggiori informazioni
Fuga di dilatazione	Sì. Per i perimetri della stanza e per gli oggetti fissi si consiglia di lasciare una fuga ottimale di 10 mm
Tolleranze di planarità del pavimento	6,35 mm su 3,05 m. Utilizzare una livella in caso di superamento del livello di tolleranza
Attrezzi speciali richiesti	Sì. Taglierino e righello, metro a nastro, martello morbido o in gomma (per battere e fissare le giunture delle tavole), cesoie, blocco di battuta, matita e distanziatore da 10 mm
Rullo manuale richiesto	No
Rullo per pavimento di almeno 34 Kg	No
Linee guida per la misurazione dell'umidità; SU CEMENTO	Basate sul misuratore di umidità per il cemento Encouter Plus di Tramex (scala da 0 al 6%)
Scala da 0% al 4%	Nessuna barriera contro l'umidità
Scala da 5% al 6%	Utilizzare una membrana di polietilene da 0,15 mm come arriera contro l'umidità
Scala superiore al 6%	Utilizzare Dricore
Linee guida per la misurazione dell'umidità; SU LEGNO	Non utilizzare una membrana di polietilene da 0,15 mm su sottopavimenti in legno
Scala da 0% al 13%	OK all'installazione. Non installare a livelli di umidità superiori al 13%
Primer su sottopavimenti in legno	No
Basement Proofer su cemento	No
Barriera contro l'umidità (membrana di polietilene da 0,15 mm)	Sì, solo se superiore al 5%
Installazione su pavimenti radianti	Sì. Elettrico o idronico consentiti — prassi migliore ad incasso minimo di 12,7 mm sotto il pavimento finito. La temperatura della superficie del sottopavimento non deve essere superiore a 30°C
Pavimenti in legno sospeso	Sì. Vespajo ben ventilato di almeno 45,7 cm Utilizzare una barriera contro l'umidità sul fondo/impurità Soprattutto per le installazioni in case mobili
Sottostrato in schiuma/imbottito	No. Invalida la garanzia se utilizzato per qualsiasi applicazione
Sottopavimenti compatibili – Vedere di seguito	Devono essere lisci, solidi, asciutti e senza curvature
Legno	Sì. Solido, stratificato, parquet, ma non legno installato su cemento.
Compensato	Sì. Pannelli a fibre orientate (OSB), pannelli di truciolo e Luan sono compatibili con i prodotti Contesse®
Vinile	Sì. Installare solo su 1 strato: vinile, linoleum, pavimento VCT LVT e con il sistema Peel & Stick
Cemento	Sì. Sigillato, non sigillato, gesso posato in opera. A livello del suolo o sotto (vedere linee guida sull'umidità)
Piastrella (Pietra)	Sì. Ceramica, Graniglia, piastrella in pietra (fughe ideali inferiori a 10 mm)
Dricore	Sì
Sottopavimenti non compatibili	Tappeti (di qualsiasi tipo), sottostrati in schiuma, vinile con dorsale imbottita, gomma, sughero, laminati, pavimenti flottanti
Prodotti approvati per sottopavimento	Primer - Custom Building Products, Level Quik Primer Basement Proofer - CBP (Custom Building Products), Red Gard Waterproofing & Crack Prevention, Livellatore per pavimenti - CBP Level Quik
Limitazioni/Esclusioni	Vedere limitazioni di montaggio e limiti di garanzia
Pulitore a vapore	NON UTILIZZARE
Superfici verticali e scale	Non coperte da garanzia. Possibile utilizzando un adesivo per costruzioni di alta qualità. Il prodotto non è destinato a questo utilizzo
Garanzie limitate	Garanzia per uso residenziale limitata di 25 anni / Garanzia per uso commerciale limitata di 10 anni

## Installazione

**Prima dell'installazione, ispezionare accuratamente ogni tavola per verificare che non vi siano difetti visibili, danni e difetti di lucentezza con un'illuminazione adeguata (la luce del giorno è ideale). NON installare materiale danneggiato o difettoso.**

1. Posare una fila di tavole (Figura 1) senza fissarle l'una con l'altra per verificare se sia necessario regolare la lunghezza della prima tavola ed evitare di utilizzare un pezzo di lunghezza inferiore a 20,3 cm all'estremità opposta della parete dalla quale si è iniziato. Oppure è possibile misurare la lunghezza della stanza e dividerla per 1520 mm (lunghezza di una tavola).
2. L'installazione deve avere inizio in un angolo (lato sinistro) e procedere dalla parete con la linguetta rivolta verso la parete. Lasciare uno spazio minimo di 10 mm per la dilatazione del prodotto, che potrebbe essere coperto da una modanatura (Figura 2). Collocare dei distanziatori di 10 mm per creare la fuga di dilatazione richiesta.
3. Nel posare la prima fila secondo una linea retta, incastrare le estremità piccole, inserendo la linguetta nelle scanalature ad un'inclinazione di circa 10-20 gradi (Figura 3). Installare ogni tavola successiva sull'estremità piccola ed assicurarsi che siano uniformemente allineate. Utilizzare un martello morbido per battere sulla parte superiore delle tavole all'altezza delle giunture piccole, in modo tale da garantire un solido incastro (Figura 7). È importante effettuare questa operazione per ottenere una buona installazione.

Nel tagliare Contesse® ISOCORE utilizzare un taglierino ed un righello. Misurare la tavola per ottenere la lunghezza desiderata e fare un segno con una matita. Quindi incidere prima la parte superiore della tavola con un taglierino (effettuare questa operazione più volte), poi spezzarla. Sarà necessario tagliare anche il cuscinetto sul fondo della tavola.

**CONSIGLIO UTILE:** Per coloro che sono abituati a lavorare con apparecchiature elettriche o per gli installatori professionisti è anche possibile utilizzare una sega circolare con lama in metallo duro per effettuare tagli dritti. In caso di utilizzo di apparecchiature elettriche, assicurarsi di indossare degli occhiali di sicurezza, una mascherina antipolvere e di lavorare in un ambiente ben areato al di fuori della stanza in cui si svolge l'installazione. Assicurarsi che tutti i residui del taglio siano stati rimossi dal meccanismo di bloccaggio prima dell'installazione.

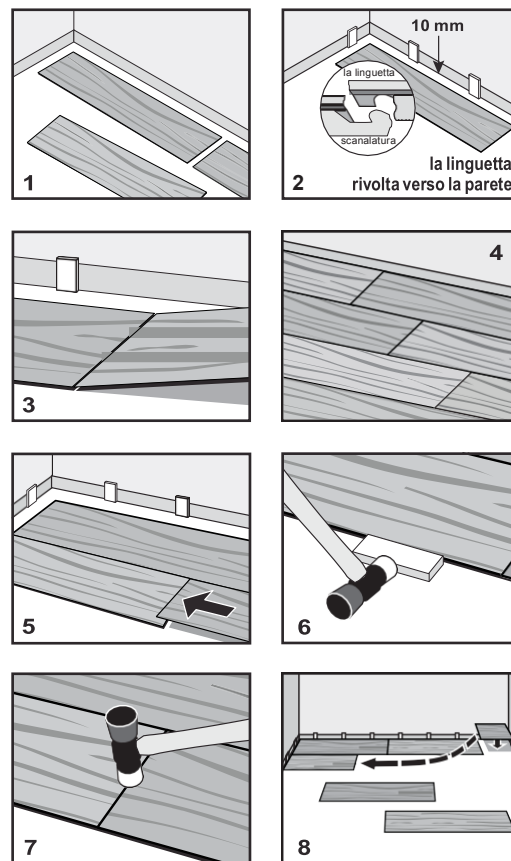
4. Nell'installare Contesse® ISOCORE, distribuire le file in modo che le giunture sulle estremità brevi non siano su una stessa linea continua. Si raccomanda di utilizzare il metodo di distribuzione sfalsata (Figura 4). Mantenere uno sfalsamento minimo di 20,3 cm tra i giunti di estremità da fila a fila e per l'intera installazione.
5. Iniziare la seconda fila con la tavola tagliata a 2/3 della lunghezza o tagliare alla lunghezza desiderata per ottenere l'effetto sfalsato richiesto (la tavola tagliata non dovrebbe essere più corta di 20,3 cm). Fissare la prima tavola della Fila 2 collegando il lato lungo alla prima fila. Mantenere una fuga di dilatazione di 10 mm dalla parete. Quindi fissare la seconda tavola, collegando il lato lungo alla prima fila e facendola scivolare sopra l'estremità breve della prima tavola. Quindi abbassarla e incastrarla. (Vedere Figura 5). Per garantire un solido fissaggio, utilizzare un blocco di battuta e un martello morbido, battendo sulla giuntura nel lato lungo (Figura 6), quindi battendo sulla parte superiore delle tavole all'altezza delle giunture piccole (Figura 7).

**CONSIGLIO UTILE:** In caso non si disponga di un blocco di battuta, è possibile utilizzare un piccolo pezzo di una tavola in vinile (circa 152 mm) come blocco di battuta.

6. Nel tagliare una tavola per iniziare una fila, sarà necessario tagliare l'estremità con la scanalatura. La parte rimanente potrà essere utilizzata per il lato opposto della stanza, alla fine della fila e se la disposizione lo consente. Vedere Figura 8. Per il fissaggio del meccanismo di incastro del giunto di estremità vedere Figura 2.
7. La posa intorno ad oggetti irregolari non costituisce un problema. È sufficiente preparare una sagoma in cartone che vada a sistemarsi intorno a tubature o ad oggetti irregolari. Posizionare la sagoma sulla tavola e tracciare la forma su di essa. Tagliare quindi lungo le linee tracciate utilizzando un taglierino o delle forbici pesanti e posare la tavola. Assicurarsi di lasciare una fuga di dilatazione di almeno 10 mm intorno agli oggetti fissi, gli armadi e i montanti in metallo. Tagliare la parte inferiore dei montanti in legno. Riempire tutte le fughe di dilatazione intorno ad aree potenzialmente umide quali frigoriferi, vasche da bagno ed elettrodomestici con silicone di qualità superiore impermeabile al 100%.

**NOTA :** Un profilo di espansione è necessario in ogni apertura della porta o quando viene raggiunta la dimensione massima della stanza. Per uso residenziale standard con una temperatura compresa tra 15 e 35 ° C, la temperatura max. la dimensione della stanza è di 11 \* 14 m. Per ambienti con temperature più estreme da 5 a 65 ° C o esposizione a sud, la temperatura max. la dimensione della stanza è 8 \* 8 m. Per le stanze con un sistema HVAC continuo e senza luce solare diretta, il max. la dimensione è 25 \* 20m

**CONSIGLIO UTILE :** Conservare le tavole restanti. Non gettarle, poiché sono abbinata al colore ( lotto colore ) del pavimento e potrebbero essere utilizzate per eventuali sostituzioni.



## Cura e manutenzione

### MANUTENZIONE ORDINARIA

- Spazzare, passare un panno asciutto, uno Swiffer®, o l'aspirapolvere (con l'accessorio per superfici dure) sul pavimento ogni giorno. Non utilizzare mai un aspirapolvere con spazzola rotante.
- Utilizzare un detergente qualsiasi di buona qualità per vinile dal pH neutro oppure un detergente biodegradabile senza risciacquo, che non lasci residui o aloni e che non necessiti di risciacquo dopo l'uso.
- Rimuovere immediatamente l'acqua stagnante, l'urina di animali domestici e altri liquidi.

### MANUTENZIONE PREVENTIVA

- Utilizzare tappeti che non macchiano in tutti gli ingressi, per evitare decolorazioni dovute a vialletti d'accesso in asfalto e per evitare che sporcizia e ghiaia vadano a finire sul pavimento. Tappeti con dorso in gomma possono scolorire il pavimento.
- Utilizzare delle protezioni per pavimento (nylon o feltro) da applicare a tutte le gambe dei mobili. Pulire periodicamente le protezioni per eliminare la ghiaia che potrebbe incrostarsi e graffiare il pavimento.
- Non trascinare o lasciar scivolare mobili o oggetti pesanti sul pavimento per evitare rigature e graffi.
- Non utilizzare detergenti antipolvere, poiché potrebbero rendere il pavimento scivoloso o persino danneggiare lo strato superficiale.
- NON utilizzare nessun tipo di pulitore a vapore.
- Non utilizzare detergenti abrasivi, aceto, saponi a base oleosa, detergenti aggressivi, prodotti "mop & shine" o cera (la cera non penetra all'interno di Contesse® ISOCORE e scolorisce il pavimento.)
- Evitare macchie di vernice, tinture o agenti chimici aggressivi.
- Tagliare le unghie agli animali domestici, poiché rischiano di graffiare il pavimento.
- Evitare l'esposizione prolungata alla luce diretta del sole. Utilizzare schermature per le finestre o vetri anti-UV.
- Per le poltrone da ufficio a rotelle, si raccomanda l'utilizzo di un "un tappeto da poltrona che non macchia, dalla superficie dura (non chiodata)" per proteggere il pavimento. Per mobili che vengono occasionalmente spostati su rotelle, utilizzare rotelle dalla superficie larga che non lasciano macchie, progettate per pavimenti a "superficie dura" e con una larghezza minima di 2,5 cm e un diametro di almeno 5,10 mm.

Per domande o dubbi sulla manutenzione del pavimento Contesse® ISOCORE, è possibile: [info@contesse-floors.com](mailto:info@contesse-floors.com).

Tel \* 32 9 222 35 25

E anche possibile inviarci un'e-mail direttamente all'indirizzo: [info@contesse-floors.com](mailto:info@contesse-floors.com)

Consultare il nostro sito web alla sezione [www.contesse-floors.com](http://www.contesse-floors.com)

**Trovaci sui social media: Contesse flooring**

### PROMEMORIA!

1. Conservare la ricevuta di acquisto o i dati relativi all'ordine effettuato online.
2. Annotare e conservare i dati relativi al modello e al numero di lotto del pavimento acquistato. Queste informazioni si trovano sull'estremità della confezione, accanto al codice a barre.

## Garanzia

### Garanzia per uso residenziale limitata di 25 anni / Garanzia per uso commerciale limitata di 10 anni

Contesse® sostituirà gratuitamente il pavimento in caso di deterioramento del motivo originali durante il normale uso residenziale di Contesse®, fintanto che l'acquirente continui a risiedere nell'abitazione dove è stata effettuata l'installazione originale e a condizione che il pavimento sia stato installato e conservato secondo le istruzioni allegate. La presente garanzia non è trasferibile ed è pro rata.

### RIMBORSO

Il rimborso è graduale. Y = anno del reclamo giustificato:

#### Garanzia residenziale rimborso

$100 - (Y \times 100/25)$  quindi se dopo 6 anni c'è un reclamo giustificato, il rimborso sarà di  $100 - (6 \times 100/25) = 76\%$  dell'importo originale.

#### Garanzia commerciale rimborso

$100 - (Y \times 100/10)$  quindi se dopo 6 anni c'è un reclamo giustificato, il rimborso sarà di  $100 - (6 \times 100/10) = 40\%$  dell'importo originale.

La presente garanzia non include la manodopera o i costi di manodopera per l'installazione del pavimento in sostituzione, né include eventuali danni derivanti da un'errata installazione o manutenzione, da alcali nel sottopavimento o da incidenti dovuti alla pressione idrostatica, bruciature, lacerazioni, rugosità, macchie o perdita di lucentezza dovuta al normale uso o a seguito di applicazioni esterne.

Graffi non sono coperti da garanzia.

La presente garanzia non copre perdite di tempo, inconvenienti, spese accessorie (come il costo delle telefonate), connesse alla rimozione e alla nuova installazione del materiale in oggetto, né qualsiasi altro danno incidentale o consequenziale.

La presente garanzia conferisce all'acquirente diritti legali specifici, ma potrebbero esserci anche altri diritti legali, i quali variano da Stato a Stato.

La presente garanzia sostituisce qualsiasi altra garanzia espressa o implicita.

Il presente servizio di garanzia si applica unicamente dietro notifica trasmessa a Contesse® tramite il rivenditore dove è stato effettuato l'acquisto. La notifica deve essere accompagnata da una copia della fattura originale e può essere autorizzata esclusivamente da Contesse®.